

## Warewashing green&clean hood type Dishwasher, Manual with Filtering System & Detergent Dispenser

ITEM # \_\_\_\_\_

MODEL # \_\_\_\_\_

NAME # \_\_\_\_\_

SIS # \_\_\_\_\_

AIA # \_\_\_\_\_


**504258 (EHT8IG)**

Hood type dishwasher, with double skin insulated manual hood, Wash Safe Control, CLEAR BLUE Filtering System, built-in detergent dispenser, rinse aid dispenser and drain pump, 80r/h

### Short Form Specification

**Item No.** \_\_\_\_\_

304 Stainless steel construction to include double skin insulated hood, external, front and side panels, wash tank, tank filter plus wash and rinse arms. Uses 2 liters of clean 84°C final rinse water per cycle. Rinse temperature and pressure guaranteed by AISI 304 built in atmospheric boiler and built in rinse booster pump. Washing performance is guaranteed by a powerful 0.8 kW wash pump and upper and lower stainless steel revolving washing spray arms. Unit to feature "WASH SAFE CONTROL" led light. Green light will indicate that all items washed have been properly rinsed. CLEAR BLUE filtering system removes majority of soil from the wash water. The unit shall include drain pump, detergent and rinse aid dispenser pumps and is equipped with flexible fill hoses. Convertible from straight to corner operation and delivered on height-adjustable feet.

### Main Features

- CLEAR BLUE advanced filtering system provides cleaner wash water and higher active detergent thus ensuring better washing performances and lower running costs.
  - Built-in atmospheric boiler sized to raise incoming water to a minimum of minimum 84 °C for sanitizing rinse. No external booster is required. Constant temperature of 84 °C throughout the rinsing cycle regardless of the network's water pressure.
  - Green light of "WASH SAFE CONTROL" confirms that items have been rinsed properly.
  - Unique temperature interlock guarantees required temperatures in both the wash and final rinse.
  - Incorporated Soft Start feature to offer additional protection to more delicate items.
  - Slanted wash arms and sloped ceiling to avoid detergent-filled wash water dropping on clean dishes after the rinsing phase, thus guaranteeing ideal washing results.
  - Cycle may be interrupted at any time by lifting the hood.
  - Automatic self-cleaning cycle and self-draining vertical wash pump and boiler to avoid bacteria proliferation.
  - State-of-the-art electronic controls with built-in programming, self-diagnostics for serviceability and automatic interior self-cleaning cycle.
  - Built-in rinse aid and detergent dispenser with automatic initial and continuous cycle loading for perfect result while minimizing service and maintenance needs.
  - Boiler power setting from control panel to facilitate technician's operation when reducing total installed power, thus avoiding the need of machine opening.
  - Three phase electrical connection, convertible to single phase on-site.
  - IP25 protection against water jets, solid objects and small animals (larger than 6 mm).
  - NSF/ANSI 3 and DIN 10512 compliant.
  - Maximum capacity per hour of 80 racks or 1.440 dishes (High productivity mode) easy to switch to 63 racks or 1.134 dishes (NSF/ANSI 3 mode) by pressing a button.
  - 45/84/150 seconds cycles (High productivity mode); 57/84/150 seconds cycles (NSF/ANSI 3 mode).
- ### Construction
- Heavy duty Stainless steel construction. Internal cavity as well as exterior panels are in 304 series Stainless steel.
  - Pressed tank in front position to facilitate cleaning.
  - Double skin insulated hood.
  - Specially designed Stainless steel wash/rinse arms and nozzles provide superior cleaning action.
  - Revolving interchangeable Stainless steel wash/rinse arms above and below the rack, screw out for simple clean up.
  - Pre-arranged for on-site HACCP implementation

**APPROVAL:** \_\_\_\_\_



**Electrolux**  
PROFESSIONAL

Warewashing  
green&clean hood type Dishwasher, Manual  
with Filtering System & Detergent Dispenser

and Energy Management device.

- Element protection from dry fire and low water.
- Unit to include drain, detergent and rinse aid dispenser pumps

### Sustainability



- The machine can be connected to cold water\*.
- Requires only 2 liters of water per washing cycle thus ensuring low energy, water, detergent and rinse aid consumption.

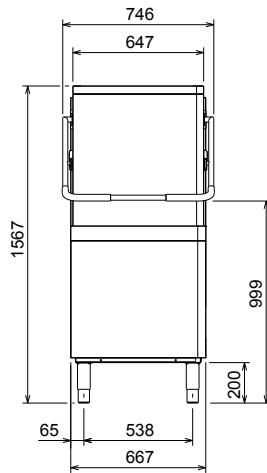
### Included Accessories

- 2 of Yellow cutlery container PNC 864242
- 1 of Basket for 18 dinner plates - yellow PNC 867002
- 1 of Basket for 48 small cups or 24 cups - blue PNC 867007

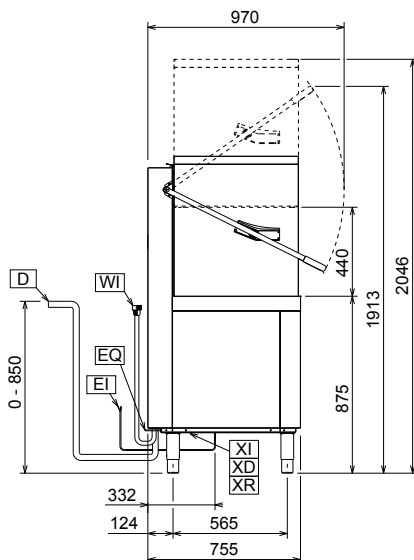
### Optional Accessories

- Kit 8 plastic boxes for cutlery - yellow PNC 780068
- 12lt external manual water softener PNC 860412
- 8lt external automatic water softener PNC 860413
- 20lt external manual water softener PNC 860430
- HACCP connection cable for double skin hood type PNC 864007
- Stainless steel inlet hose kit PNC 864016
- Filter for partial demineralization PNC 864017
- Kit to measure total and partial water hardness PNC 864050
- Yellow cutlery container PNC 864242
- Filter for total demineralization PNC 864367
- Front control panel for double skin hood type dishwasher PNC 864372
- External reverse osmosis filter for single tank Dishwashers with atmosphere boiler and Ovens PNC 864388
- Pressure reducer for single tank dishwasher PNC 864461
- Kit of rack and support to wash fryer basket PNC 864463
- ZERO LIME device kit with pump and air gap for hood type PNC 864526
- Connecting kit for duet manual hood type dishwasher PNC 865264
- Kit 4 plastic boxes for cutlery - yellow PNC 865574
- Basket for 6 trays 530x370 mm - red PNC 866743
- Basket for 12 soup bowls - green PNC 867000
- Basket for 18 dinner plates - yellow PNC 867002
- Basket for 48 small cups or 24 cups - blue PNC 867007
- Basket for bulk cutlery-capacity: 100 pieces - brown PNC 867009
- Cover rack for small and light items (500x500 baskets) PNC 867016
- Baskets for 25 tilted glasses (h 120 mm - diam 80 mm) - blue PNC 867021
- Basket for 16 vertical glasses (h 70 mm - diam 100 mm) - blue PNC 867023
- Basket semi-professional 500x500x190mm PNC 867024
- Baskets for 16 tilted glasses (h 220 mm - diam 100 mm) - blue PNC 867040

Front

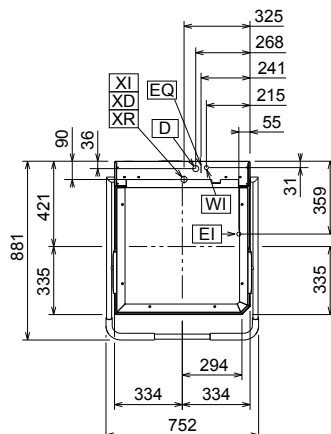


Side



- |                               |                                |
|-------------------------------|--------------------------------|
| CWII = Cold Water inlet 1     | XI = Chemicals inlet (generic) |
| D = Drain                     | XR = Rinse aid connection      |
| EI = Electrical inlet (power) |                                |
| EO = Electrical Outlet        |                                |
| HWI = Hot water inlet         |                                |
| WI = Water inlet              |                                |
| XD = Detergent connection     |                                |

Top


**Electric**

<b>Supply voltage:</b>	
504258 (EHT8IG)	400 V/3N ph/50 Hz
<b>Convertible to:</b>	230V 1N~; 230V 3~
<b>Default Installed Power:</b>	9.9 kW
<b>Reducible Installed Power*:</b>	6.9 kW
<b>Boiler Heating Elements Power*:</b>	9 kW
<b>Boiler Reducible To*:</b>	6 kW
<b>Tank heating elements:</b>	3 kW

**Water:**

<b>Drain line size:</b>	20.5mm
<b>Inlet water supply pressure:</b>	0.5-7 bar
<b>Boiler Capacity (lt):</b>	12
<b>Tank Capacity (lt):</b>	24

**Key Information:**

<b>N° of cycles:</b>	3
<b>Duration cycle*:</b>	45/84/150 sec.
<b>Duration cycle - NSF/ANSI 3 compliant:</b>	57/84/150 sec.
<b>Racks per hour*:</b>	80
<b>Racks per hour - NSF/ANSI 3 compliant:</b>	63
<b>Dishes per hour*:</b>	1440
<b>Dishes per hour - NSF/ANSI 3 compliant:</b>	1134
<b>Wash temperature:</b>	55-65 °C
<b>Wash temperature - NSF/ANSI 3 compliant:</b>	75 °C
<b>Rinse temperature:</b>	84 °C
<b>External dimensions, Width:</b>	752 mm
<b>External dimensions, Depth:</b>	755 mm
<b>External dimensions, Height:</b>	1567 mm
<b>Net weight:</b>	117 kg
<b>Shipping weight:</b>	132 kg
<b>Shipping volume:</b>	1.23 m <sup>3</sup>

**Packaging size (WxDxH):** 920x780x1720 mm

\* According to market standard, the productivity is declared at an inlet water supply temperature of 50°C . If the water is supplied at 65°C, the power can be reduced by 3 kW without any loss in productivity.

**NOTE:**

If the water supply temperature is less than 50°C, it is necessary to request higher power to maintain productivity.

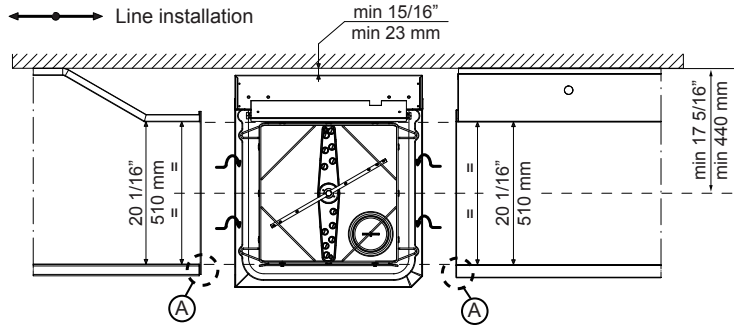
**Air Emission:**

<b>Latent heat:</b>	500 W
<b>Sensible heat:</b>	2000 W

**Sustainability**

<b>Water supply temperature*:</b>	10-65 °C
<b>Water consumption per cycle (lt)**:</b>	2
<b>Noise level:</b>	<63 dBA

Recommended table connection



All tables must be connected to the dishwashing units according to local regulations and industry standards which may differ from the recommendations herein suggested. Electrolux Professional is not liable for any failure in complying with local design standards.

Doc Nr : 59566BF00